



TP04

# Temperature Transmitter(2-wire for duct type)

## Temperature-TP04

[www.eyc-tech.com](http://www.eyc-tech.com)


## | Features |

- SS Housing, all-in design with anti-condensation function and good heat dissipation
- Good measuring repeatability and anti-interference
- Monitoring for long-distance temperature signal transmission
- Signal transfer from PT sensor to 4 ... 20 mA
- With SD05 integrated signal indicator for local display(Optional)

## | Applications |

For industries in heating / Ventilation / Air conditioning / Cooling / Water power / Electricity, etc. /  
 For process in agriculture / Green house / Environmental engineering / Food / Pharmaceutical industry /  
 Machinery manufacturing / Storage tank / Compressor / Hydraulic equipment

## | Specifications |

### Input

Input	RTD Pt100 $\Omega$
Pt100 $\Omega$ sensor current	<0.8 mA
ZERO adjustment range	$\pm 10\%$
SPAN adjustment range	$\pm 10\%$

### Output

Output	DC 4 ... 20 mA((2-wire)
Accuracy	$\pm 0.5\%$ of F.S.
Load resistance	$\leq (\text{Supply voltage} - 8 \text{ V}) / 0.02 \text{ A } \Omega$
Power stability	$\pm 0.025\% / \text{V}$
Temperature drift	$< \pm 0.015\% \text{ F.S.} / ^\circ \text{C}$
Calibration temperature	20 ... 28°C
Response time	< 250 ms

### Electrical

Power supply	DC 10 ... 30 V
Electrical connector	DIN 43650 ABS

### Environment

Medium	Air
Operating Temp.	-20 ... 80°C
Operating humidity	100%RH (Non-condensing)

### Protection

Pt100 $\Omega$ signal disconnection protection & output	>23 mA
Pt100 $\Omega$ signal short circuit protection & output	<3 mA
Output polarity protection	Yes
IP rating	IP65

### Certification

Certification	CE
---------------	----

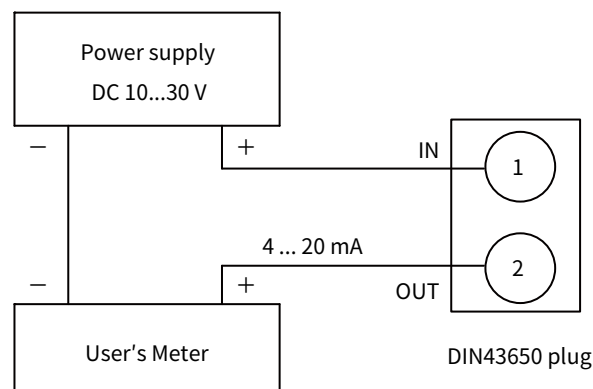
### Material

Housing	SUS304
Weight	50 mm : 250 g / 200 mm : 260 g

### Option

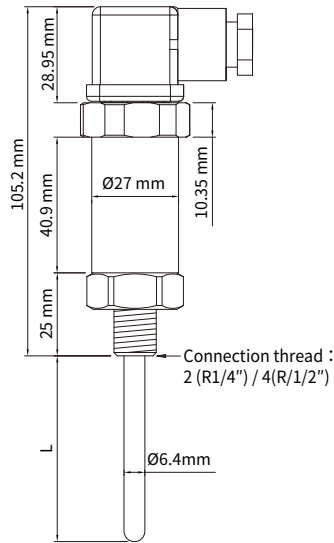
Sleeve pipe / Size	30 / 80 / 130 / 180 mm R1/2" sleeve
--------------------	-------------------------------------

## | Diagram |

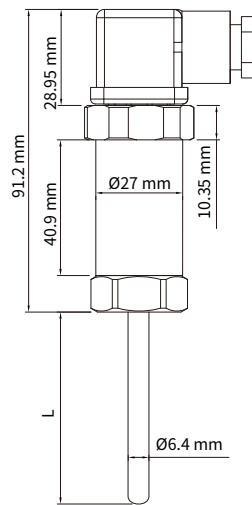


## | Dimension |

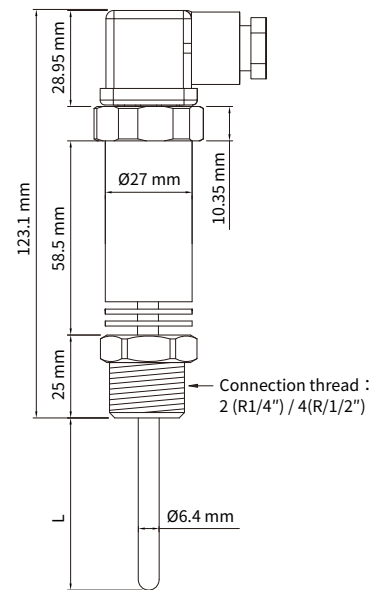
Standard type(0 ... 80°C)



Adjustable outside-thread type



Heat sink type(Max. 100°C)



## | Ordering Guide |

TP04 — **1** — **1** — **4** — **1** — **1** — **0** — **N**

<p><b>Input</b></p> <p>1 : Pt100 Ω</p>	<p><b>Output</b></p> <p>1 : 4 ... 20 mA</p>	<p><b>Connection</b></p> <p>2 : 1/4"PT outside thread          4 : 1/2"PT outside thread          B : 1/2"PT movable outside thread          0 : w/o outside thread          W : Special thread</p>	<p><b>Length</b></p> <p>1 : 50 mm          2 : 100 mm          3 : 150 mm          4 : 200 mm          0 : Customization</p>	<p><b>Temp. range</b></p> <p>1 : -50 ... +50°C          3 : 0 ... +50°C          4 : 0 ... +100°C          5 : 0 ... +200°C          W : Special span</p>	<p><b>Housing</b></p> <p>N : Standard          0 : Heat sink</p>	<p><b>Option</b></p> <p>N : None          T : Thermal sleeve*          W : Customization</p> <p><small>*Please remark, ex : standard Ø 9.5mm, 1/4"PT or 1/2"PT, material SUS304, the length mm of below the thread.</small></p>
--	---	---	--	---	--	---

## | Additional Option Test Report | For more detailed information please contact us.

### ■ ILAC / TAF

YUDEN-TECH CO.,LTD. Calibration Laboratory - ( ILAC / TAF ) Test report.  
 (TAF accreditation :3032, complying with ISO / IEC 17025 ) TAF has mutual recognition arrangement with ILAC MRA

Project	Measurand level or range
Resistance thermometer	-40°C ... +300°C
Thermocouple thermometer	-20°C ... +300°C

### ■ ISO 9001

Project	Measurand level or range
RTD / Thermocouple	Resistance thermometer : -40°C ... +300°C
	Thermocouple thermometer : -20°C ... +300°C