



DPM11 Signal Display Monitor



| Features |

- Measuring input type : DC current / DC voltage
- Multiple output type : RELAY / RS-485 (Option)
- Filtering function, provide safe and stable measuring
- Power supply : AC 90 ... 250 V / 50 ... 60 Hz, DC 24 V \pm 10%
Auxiliary supply output (DC 18 ... 26 V / 50 mA), use for 2-wire transmitter
- Panel installation, high light red LED display panel, 14.1 mm height of character, 4 digits(-1999 ... +9999), 7-segment display
- Programmable, high safety & stability, fire-proof case, moisture-proof cover
- Plug-in installation design for easy maintenance

| Applications |

Industry / Agriculture / Pottery & glass / Chemical Industry / Transportation / Technology / Energy / Eco-friendly / Oil & gas / Water circulation system / Marine / Factory automation / Metal & steel / Cement / Pulp & paper / Pharmaceuticals / Food & beverage

| Specification |

Display

Display readout	4 digits (-1999 ... +9999)
Decimal point	0 ... 3 place, button
Display	Highlight red LED (Brightness can be adjusted) Digit height 14.1 mm
Accuracy	0.1%F.S. ±1 digital
Sampling time	4 cycle/sec
Response time adjustment range	0.5 ... 60 sec
Parameter setting mode	Button

Input

Input	Current : 0 ... 20 mA / 4 ... 20 mA Voltage : 0 ... 10 V
-------	---

Relays

Alarm hysteresis	Display value or 0 ... 100%
ON and OFF delay	0 ... 3600 sec
Output signal error detection	Yes
Relay actuation direction	Upper : HI / AL Lower : LO / AL
Relay capacity	Max current : 6A Max voltage : AC 277 V / DC 30 V Max power : 1500 VA / 180 W

Communication

Communication methods & protocol	RS-485 Modbus RTU , master or slave
RS-485 baud rate	9600 、 19200 、 38400 、 57600 、 115200 bps

Environmental

Operating environment	-10 ... +60°C 0 ... 95%RH (Non-condensing)
Storage environment	-25 ... +60°C

Electrical

Power supply / Voltage	AC 90 ... 250 V / 50 ... 60 Hz DC 24 V ± 10%
Auxiliary power / Output	DC 18 ... 26 V / 50 mA
Insulation voltage endurance	2 K Vac/1 min
Parameter memory type	FLASH
Dissipated power	5 W

Protection

IP rating	IP65 (Front panel)
Electrical protection	■ Polarity protection ■ Over-voltage

Certification

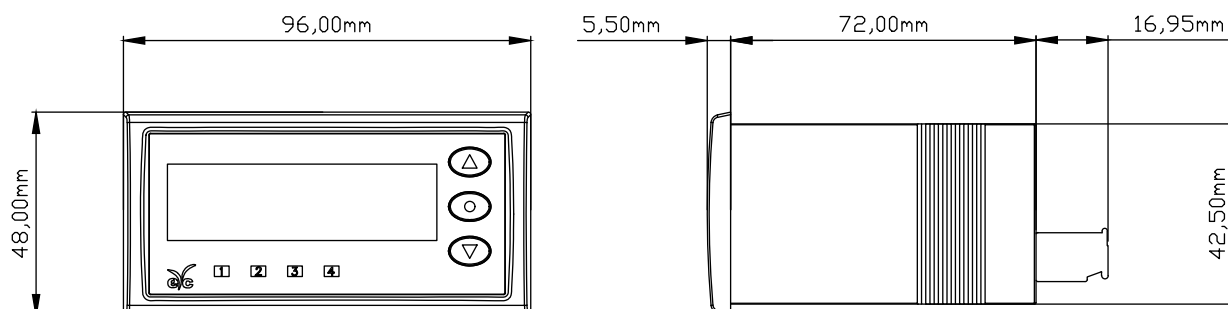
Certification	CE
---------------	----

Material

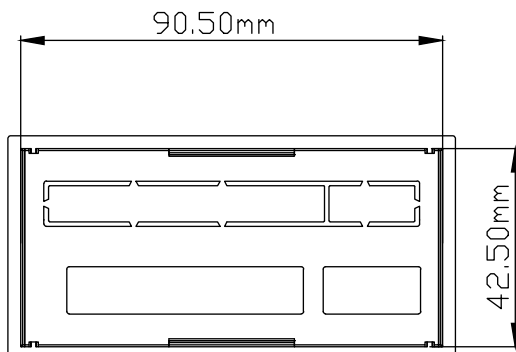
Housing	ABS fire-proof class (UL94V-0)
Dimensions(HxWxD)	48x96x94.45 mm
Cut out dimensions	42.5x90.5 mm(+1 mm)
Weight	About 230 g

*Please make sure the product and the device which connect with RS-485 are on common ground, avoid damaged product.

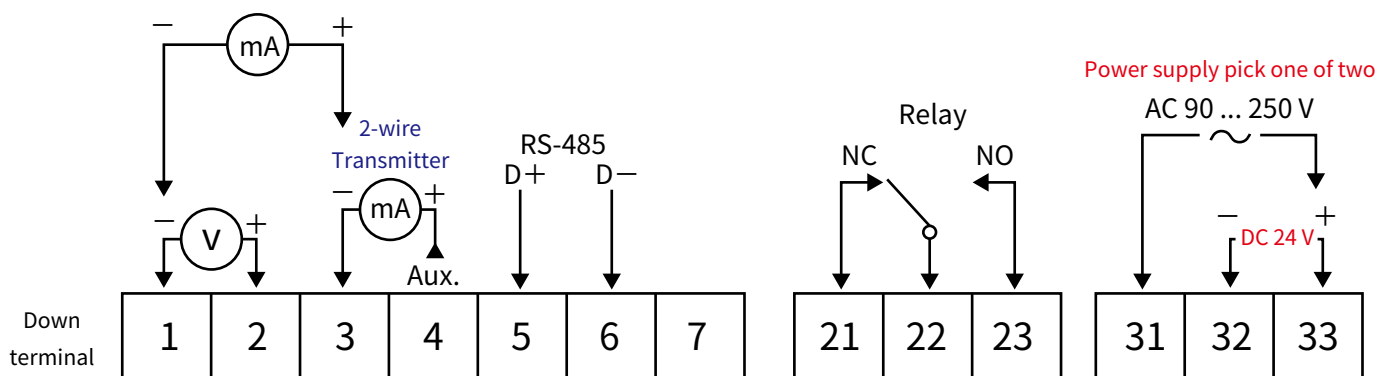
| Dimension |



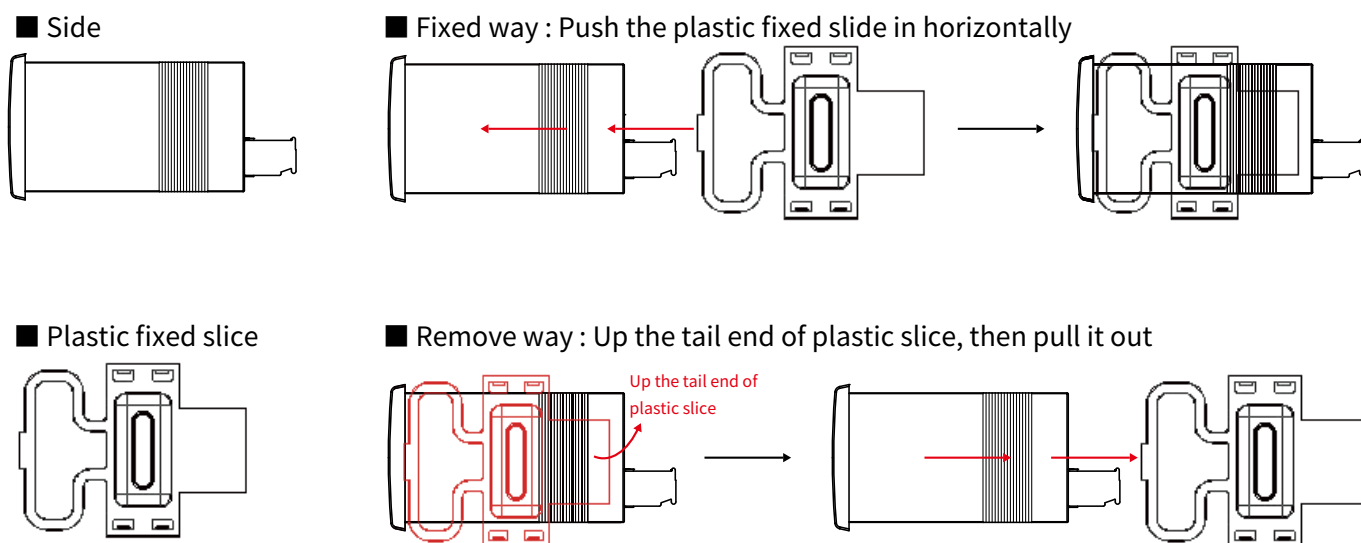
| Installation Dimension |



| Diagram |

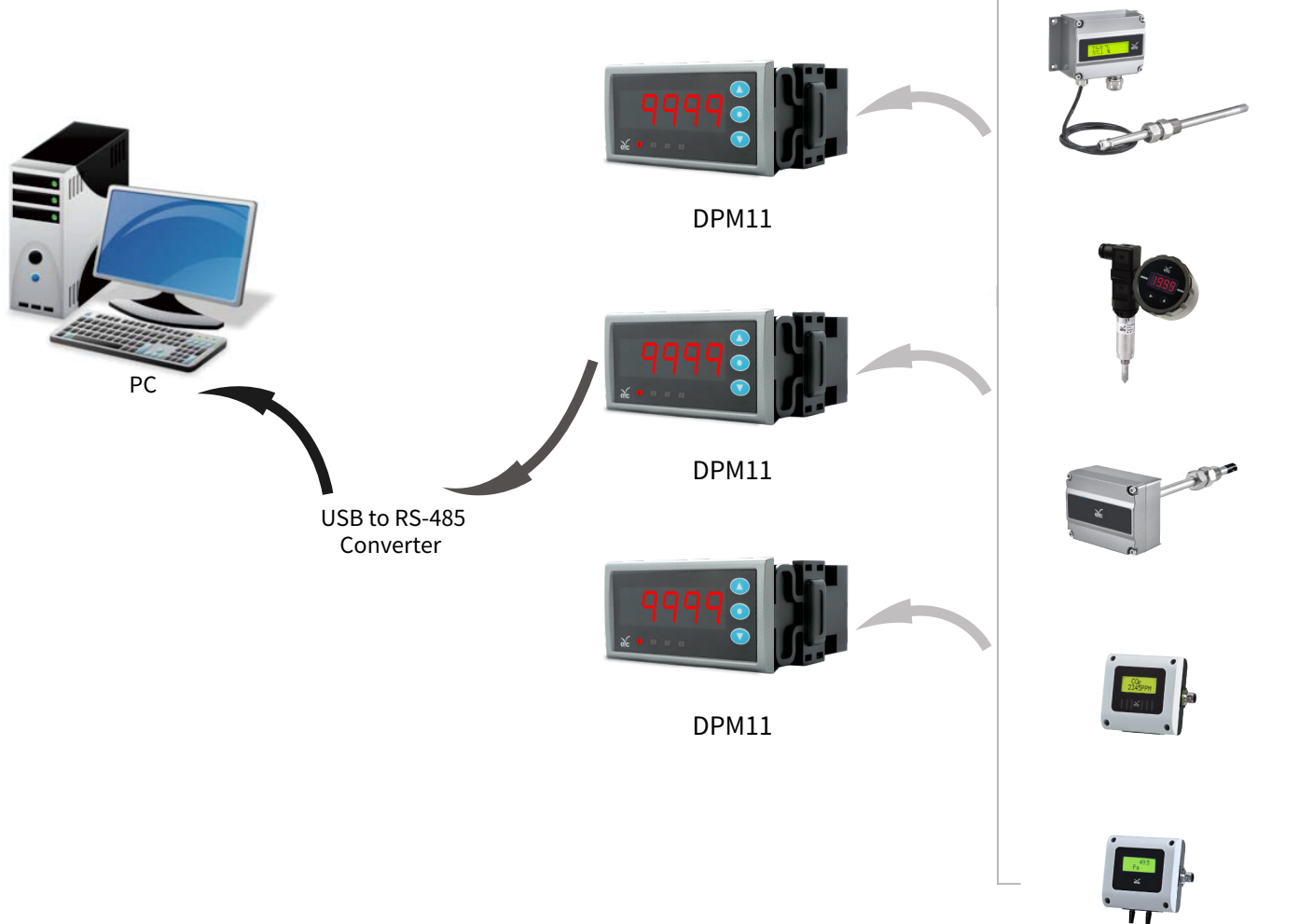


| Installation |



| Programmable |

- Tool : PC, USB to RS-485 converter, Power supply
- Software : DPM UI
- Calibration function : DC voltage & DC current



| Ordering Guide |

DPM11	-	Output C	Power supply 01
		C : Display+1 Relay+RS-485	01 : AC 90 ... 250 V / 50 ... 60 Hz 02 : DC 24 V ± 10%