



THS130/140

Temperature & Humidity Transmitter for Indoor / Duct type



| Features |

- Excellent long-term stable ability
- Cost-effective and accurate measurement
- Outstanding long-term performance
- Voltage or current outputs

| Applications |

Monitoring for HVAC process / Air conditioning / Environmental ventilation control / Environmental monitoring for building / Factory / Hospital / Storage rooms / Monitoring for building automation environment

| Specification |

Input

Sensor type MEMS sensor

Measuring range

Temperature 0 ... 50°C

Humidity 0 ... 100%(Non-condensing)

Output

Output 4 ... 20 mA / 0 ... 10 V

Signal connection 2-wire / 3-wire

Warm-up time <2 min ; Stable time 20 min

Response time $t_{63}(15^{\circ}\text{C} \dots 45^{\circ}\text{C} / 33 \dots 75\%\text{RH}) \leq 10 \text{ sec}$

Sampling time About 3 sec

Temperature influence Max.-0.15%RH/°C(0°C ... 80°C)

Load resistance Current <250 Ω ; Voltage $\geq 10 \text{ K}\Omega$

Accuracy(at 25°C)

Temperature $\pm 0.5^{\circ}\text{C}$

Humidity $\pm 3\%\text{RH}(30 \dots 80\%\text{RH})$

Electrical

Power supply DC 15 ... 35 V / DC 19 ... 35 V & AC 24 V $\pm 10\%$

Current consumption DC : Max. 80 mA / AC : Max. 150 mA

Electrical connection 2-wire : 3P connector

3-wire : 4P connector

Environment

Medium Air

Operating Temp. 0 ... + 50°C

Operating Humid. 0 ... 100%RH(Non-condensing)

Storage Temp. -20 ... +60°C

Installation

Installation Indoor : Wall mount

Duct : Flange

Protection

IP rating IP54

Electrical protection ■ Polarity protection

■ Over-voltage

■ Short circuit

Certification

Certification CE

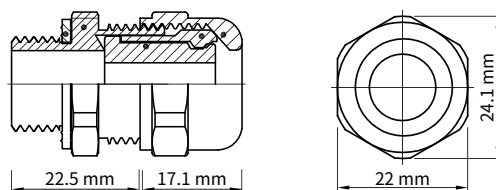
Material

Housing PC(PC-110)(UL94V-2)

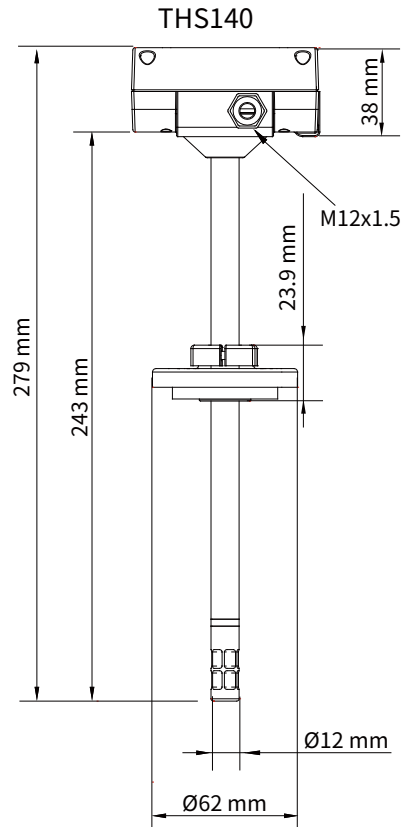
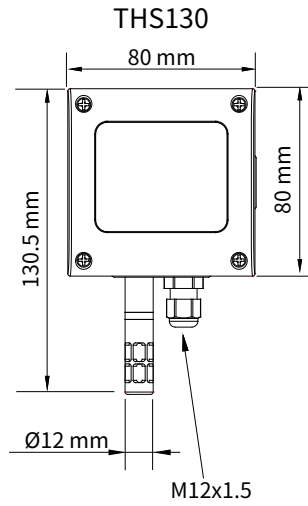
Weight THS130 : 113 g ; THS140 : 135 g

| Electrical Connector |

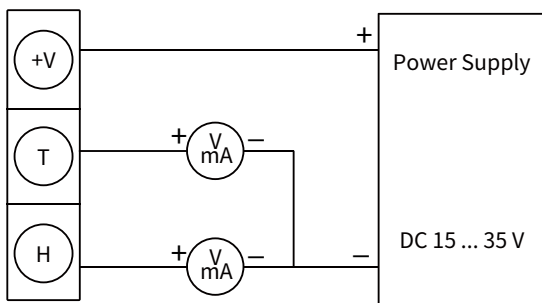
【N type(M16 cable gland)】 Analog



| Dimension |

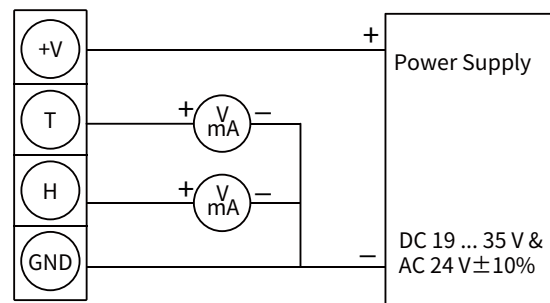


| Diagram |



3P Connection

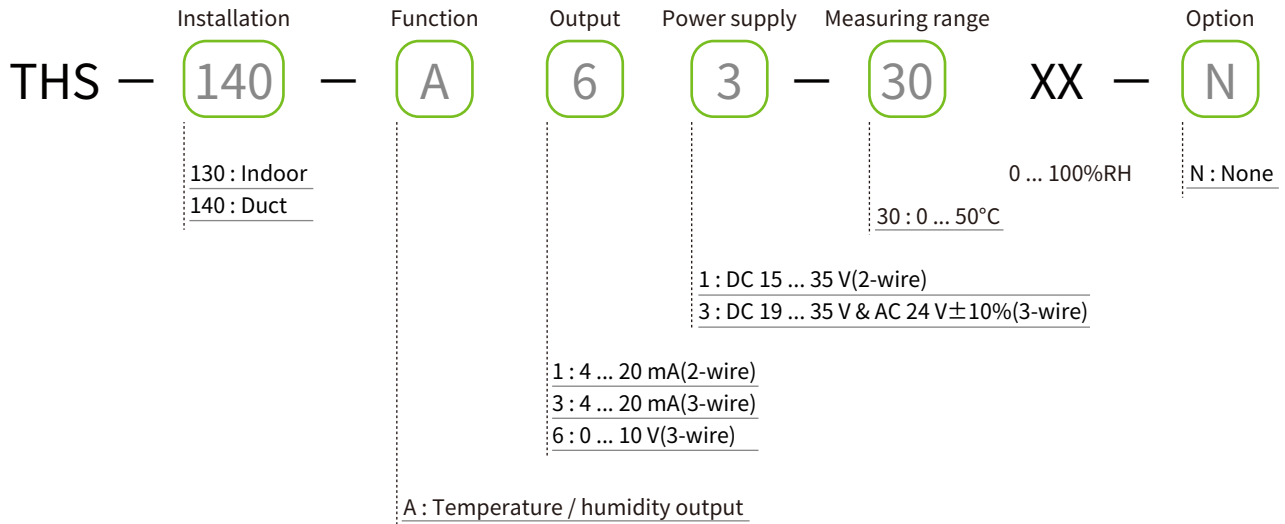
2-wire / 4 ... 20 mA



4P Connection

3-wire / 4 ... 20 mA / 0 ... 10 V

| Ordering Guide |



| Additional Option Test Report | For more detailed information please contact us.

■ ILAC / TAF

YUDEN-TECH CO.,LTD. Calibration Laboratory - (ILAC / TAF) Test report.
 (TAF accreditation : 3032, complying with ISO / IEC 17025) TAF has mutual recognition arrangement with ILAC MRA

Project	Measurand level or range
Hygrometer	Temperature : 0°C ... 69.5°C
	Humidity : 10% ... 95%

■ ISO 9001

Project	Measurand level or range
Temperature and Humidity	Temperature : 0°C ... 200°C
	Humidity : 0.1% ... 99.8%