



TP02

Temperature Transmitter for DIN-Rail Type



| Features |

- Special IC for RTD ; High accuracy is assured
- TP02 with smaller volume so lesser space for installation is required
- High quality and low price
- DIN-rail type ; Quick to install

| Applications |

Monitoring for long-distance temperature signal transmission / For industries in heating / Ventilation / Air conditioning / Cooling / Water power / Electricity, etc. / For process in agriculture / Green house / Environmental engineering / Food / Pharmaceutical industry

| Specifications |

Input

Input signal	RTD Pt100(3-wire)
Cable resistance	$\leq 50 \Omega$ (3 wires with the same resistance)
Pt100 sensor current	$< 0.8 \text{ mA}$
ZERO adjustment range	$\pm 10\%$
SPAN adjustment range	$\pm 10\%$

Output

Output signal	DC 4 ... 20 mA(2-wire)
Load resistance	$\leq (\text{Supply voltage} - 8 \text{ V}) / 0.02 \text{ A } \Omega$
Load resistance stability	$\pm 0.05\% / 100 \Omega$
Power stability	$\pm 0.025\% / \text{V}$

Accuracy

Accuracy	$\pm 0.1\%$ of F.S.
----------	---------------------

Temperature

Temperature drift	$< \pm 0.015\%$ F.S. / $^{\circ}\text{C}$
Calibration temperature	20 ... 28 $^{\circ}\text{C}$
Response time	$< 250 \text{ ms}$

Environment

Medium	Air
Operating temperature	-20 ... 60 $^{\circ}\text{C}$
Operating humidity	0 ... 95%RH(Non-condensing)

Electrical specification

Power supply	DC 10 ... 30 V
Operating environment	-20 ... 60 $^{\circ}\text{C}$ 0 ... 95%RH(Non-condensing)

Protection

Pt100 signal disconnection protection & output	$> 23 \text{ mA}$
Pt100 signal short circuit protection & output	$< 3 \text{ mA}$
Output polarity protection	Yes
IP rating	Housing : IP30 / Terminal : IP10

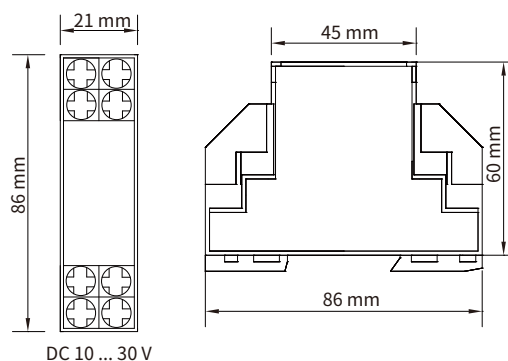
Certification

Certification	CE
---------------	----

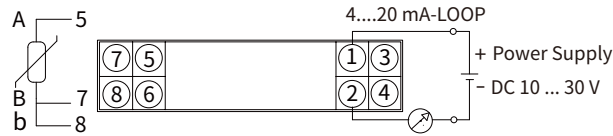
Material

Housing	ABS(UL94V-0)
---------	--------------

| Dimension |



| Diagram |



| Ordering Guide |

TP	Installation	—	Function	Input	Output	Power supply	—	Temperature range
	02	1	1	1	0	1		
	DIN-rail way		1-channel Pt100(3-wire)	4 ... 20 mA		DC 10 ... 30 V(2-wire loop power)		1 : -50 ... +50°C 3 : 0 ... 50°C 4 : 0 ... 100°C 5 : 0 ... 200°C W : Special span(MOQ:10pcs)