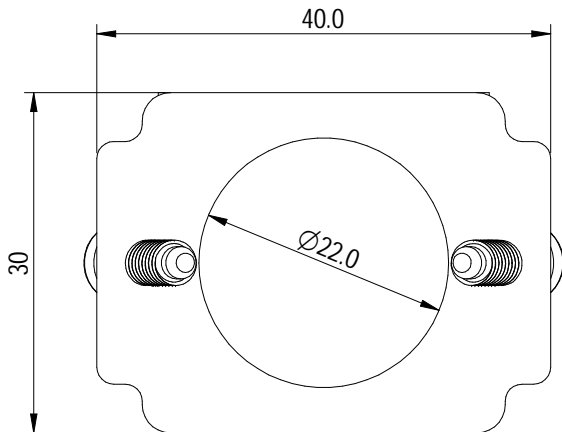
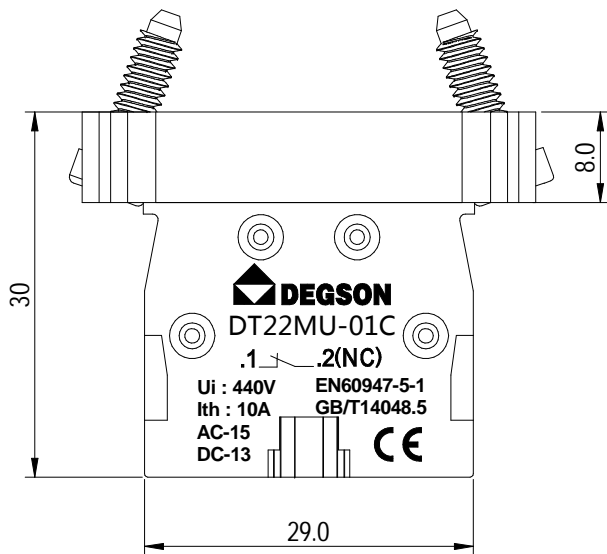


未注公差/General tolerances (mm)												0.1/10		
0	>3	>6	>10	>18	>30	>50	>80	>120	>180	>250	>315		>400	>500
±0.12	±0.18	±0.22	±0.26	±0.31	±0.37	±0.57	±0.80	±0.93	±1.05	±1.15	±1.60	±2.20	±2.50	±2'

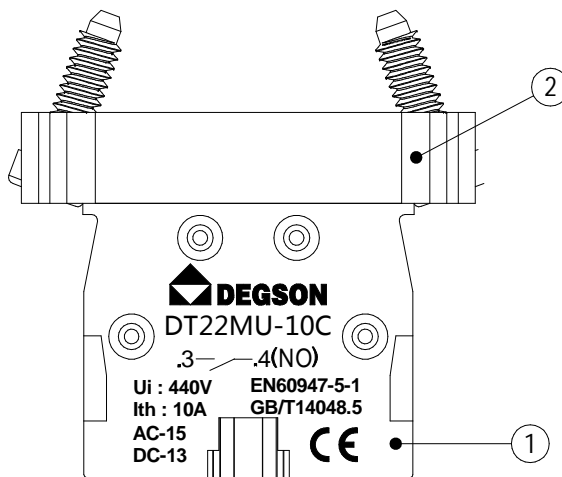


DT22MU - XX C / ZZ
 (Series No.)

(Contact form): 10: 1NO
 01: 1NC
 11: 1NO1NC
 20: 2NO
 02: 2NC



1NO silk-screen



1NC silk-screen

ITEM	NAME OF PART	MATERIAL	NOTES
2	Holding screw	/	/
1	Contact module	/	/

使用温度范围/Operating temperature(°C)	-25~+55(无冰冻)
使用湿度范围/Operating humidity(%RH)	45~85
接触电阻/Contact resistance(mΩ)	≤50
绝缘电阻/Insulation resistance(mΩ)	≥1000
工频耐压/Power frequency withstand voltage	1890VAC/50Hz
符合RoHS环保要求/Conform to RoHS	Yes
标准颜色编号/Standard color number: PANTONE / RAL	/

DEGSON		MATERIAL:	SURFACE/COLOR:
APPD: GZG	2025. 05. 10	MAT NO./REV:	/ 00
CHKD: PH	2025. 05. 10	NAME	
DRFT: GXJ	2025. 05. 10	DT22MU-XXC/ZZ	
DRAWING NO.	TYPE	DRAWING STATUS	SCALE
200338477	CUSTOMER DRAWING	work	2:1
SHEET		1/1	

REV	ECN	DESCRIPTION	DRFT	DATE
00		New Drawing	GXJ	2025. 05. 10

Transfer or duplication of this document as well as the utilization or communication of its contents are prohibited unless authorized in general. Without prejudice, all rights reserved for patent. 除专利等明确标注外，其他内容均受法律保护。未经许可，不得复制或传播。 除专利等明确标注外，其他内容均受法律保护。 除专利等明确标注外，其他内容均受法律保护。 除专利等明确标注外，其他内容均受法律保护。