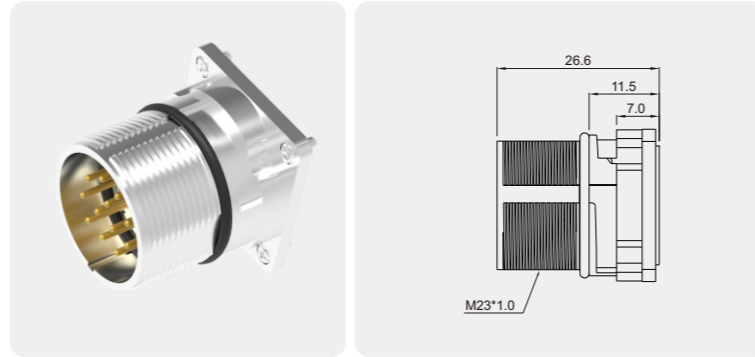


M23x 1 Male Panel Mount
Receptacle, Field Assembly
Socket, Shielded, Crimping
Connection, Straight.

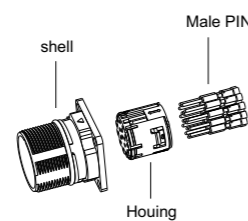


Technical Data

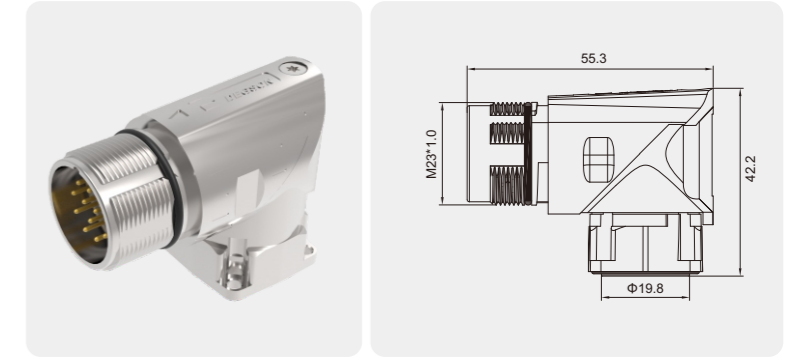
Series	M23, Male	Contact carriers material	PBT
Number of Pins	12, 17 Pin	Contact material	Copper Alloy, Gold-plated
Rated Current	8A	Metal shell	Zinc Alloy with Nickel Plated
Rated voltage	160V max.	Seal	Silicone
Insulation resistance	≥ 100MΩ	Shielding	Shielded
Withstand voltage	2.0KV AC	Mechanical life	≥ 500 mating cycles
Ambient temperature	- 40 ~ + 125°C	IP Class	IP67

Number of Pins		10 Pin	17 Pin
Coding	Front View		
Rated current	A.	8A	8A
Rated voltage	V.	160V	125V
Wire gauge		18-28AWG	18-28AWG
Description		Order NO .	Order NO .
With the Pin		SCSH-M23R-12P-MM-SS7000-00A(H)	SCSH-M23R-17P-MM-SS7000-00A(H)
Without the Pin		S-M23R-12P-MM-SS7000-00A(H)	S-M23R-17P-MM-SS7000-00A(H)
Pin		CT-M23R-GM-10-01	CT-M23R-GM-10-01
		CT-M23R-GM-10-02	CT-M23R-GM-10-02

Component part drawing



M23x 1 Male Panel Mount
Receptacle, Field Assembly
Socket, Shielded,
Crimping Connection, Angled.



Technical Data

Series	M23, Male	Contact carriers material	PBT
Number of Pins	12, 17 Pin	Contact material	Copper Alloy, Gold-plated
Rated Current	7A	Metal shell	Zinc Alloy with Nickel Plated
Rated voltage	160V	Seal	Silicone
Insulation resistance	≥ 100MΩ	Shielding	Shielded
Withstand voltage	2.0KV AC	Mechanical life	≥ 500 mating cycles
Ambient temperature	- 20 ~ + 125°C	IP Class	IP67

Number of Pins		12 Pin
Coding	Front View	
Rated current	A.	7A
Rated voltage	V.	160V
Wire gauge		18-24AWG
Description		Order NO .
With the Pin		SCSH-M23R-12P-MM-SR7000-00A(H)
Without the Pin		S-M23R-12P-MM-SR7000-00A(H)
Pin		CT-M23R-GM-10-01
		CT-M23R-GM-10-02

Component part drawing

