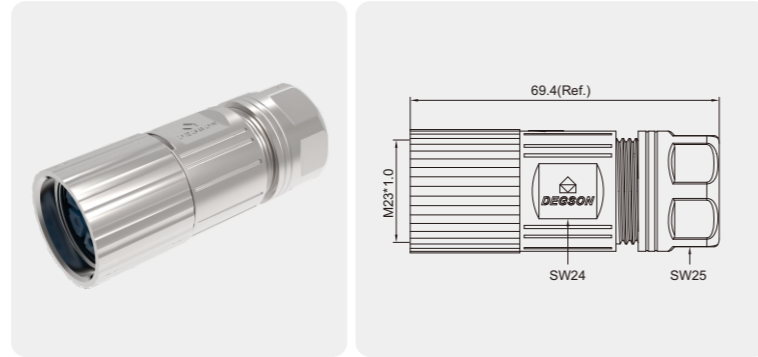


M23x 1 Female Field Assembly
Plug Shielded, Crimping
Connection, Straight.

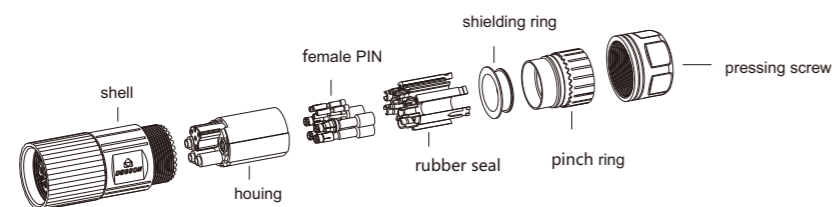


Technical Data

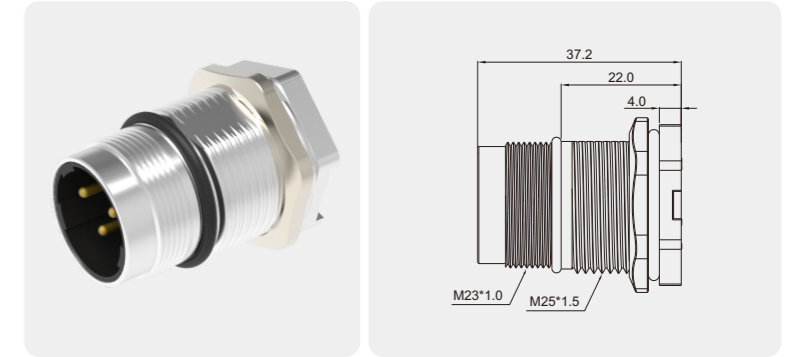
Series	M23, Female	Contact carriers material	PA
Number of Pins	5+3+PE	Contact material	Copper Alloy, Gold-plated
Rated Current	Power: 30A	Metal shell	Copper Alloy with Nickel Plated
	Signal: 7A	Seal	Silicone
Rated voltage	Power: 630V	Shielding	Shielded
	Signal: 250V	Mechanical life	≥ 500 mating cycles
Insulation resistance	≥100MΩ	IP Class	IP67
Withstand voltage	3.5KV AC max.	—	—
Ambient temperature	- 40 ~ + 125°C	—	—

Number of Pins		5+3+PE Pin
Coding	Front View	
Rated current	A.	30A / 7A
Rated voltage	V.	630V / 250V
Wire gauge		12-14AWG
Apply OD		8.5-12mm
Description		Order NO .
With the Pin		PCSH-M23L-09P-FF-SL7001-00A(H)

Component part drawing



M23x 1 Male Panel Mount
Receptacle, Field Assembly
Socket, Shielded, Crimping
Connection, Straight.



Technical Data

Series	M23, Male	Contact carriers material	PA
Number of Pins	5+PE	Contact material	Copper Alloy, Gold-plated
Rated Current	28A	Metal shell	Copper Alloy with Nickel Plated
Rated voltage	630V	Seal	Silicone
Insulation resistance	≥100MΩ	Shielding	Shielded
Withstand voltage	4.0KV AC	Mechanical life	≥ 500 mating cycles
Ambient temperature	- 40 ~ + 125°C	IP Class	IP67

Number of Pins		5+PE Pin
Coding	Front View	
Rated current	A.	28A
Rated voltage	V.	630V
Wire gauge		12-14AWG
Description		Order NO .
With the Pin		SCSH-M23P-06P-MM-SF7001-00A(H)

Component part drawing

