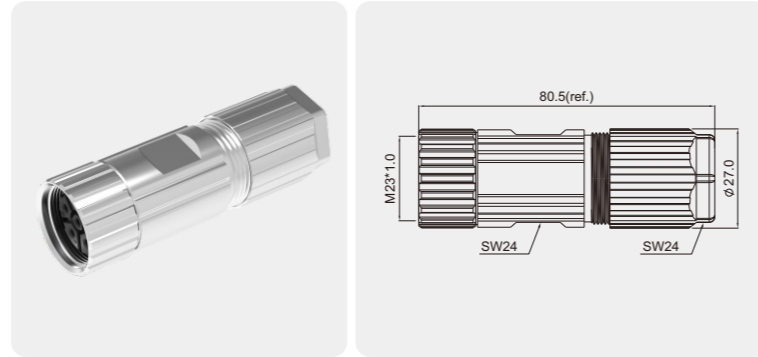
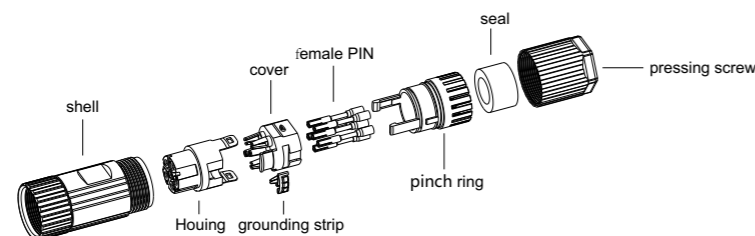


M23x 1 Female Field Assembly Plug,
Shielded,Crimping Connection,
Straight.

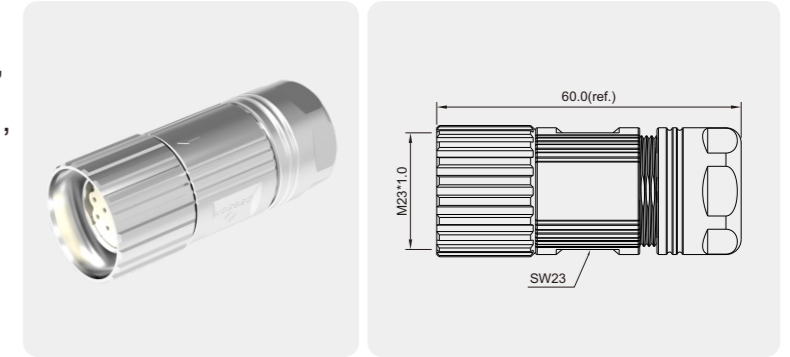

Technical Data

Series	M23, Female	Contact carriers material	PA
Number of Pins	5+PE	Contact material	Copper Alloy, Gold-plated
Rated Current	28A	Metal shell	Copper Alloy with Nickel Plated
Rated voltage	630V	Seal	Silicone
Insulation resistance	≥100MΩ	Shielding	Shielded
Withstand voltage	4.0KV AC	Mechanical life	≥ 500 mating cycles
Ambient temperature	- 40 ~ + 125°C	IP Class	IP67

Number of Pins		5+PE Pin
Coding	Front View	
Rated current	A.	28A
Rated voltage	V.	630V
Wire gauge		12-14AWG
Apply OD		8.5-12mm
Description		Order NO .
With the Pin		PCSH-M23P-06P-FF-SL7001-00A(H)

Component part drawing


M23x 1 Female Field Assembly Plug,
Shielded,Crimping Connection,
Straight.


Technical Data

Series	M23, Female	Contact carriers material	PBT
Number of Pins	12,17 Pin	Contact material	Copper Alloy, Gold-plated
Rated Current	8A	Metal shell	Zinc Alloy with Nickel Plated
Rated voltage	160V max.	Seal	Silicone
Insulation resistance	≥100MΩ	Shielding	Shielded
Withstand voltage	2.0KV AC	Mechanical life	≥ 500 mating cycles
Ambient temperature	- 40 ~ + 125°C	IP Class	IP67

Number of Pins		12 Pin	17 Pin
Coding	Front View		
Rated current	A.	8A	8A
Rated voltage	V.	160V	125V
Wire gauge		18-28AWG	18-28AWG
Apply OD		5-14mm	5-14mm
Description		Order NO .	Order NO .
With the Pin	OD 8.5~12mm	PCSH-M23R-12P-FF-SL7001-00A(H)	PCSH-M23R-17P-FF-SL7001-00A(H)
	OD 5~8.5mm	PCSH-M23R-12P-FF-SL7002-00A(H)	PCSH-M23R-17P-FF-SL7002-00A(H)
	OD 12~14mm	PCSH-M23R-12P-FF-SL7003-00A(H)	PCSH-M23R-17P-FF-SL7003-00A(H)
Without the Pin	OD 8.5~12mm	P-M23R-12P-FF-SL7001-00A(H)	P-M23R-17P-FF-SL7001-00A(H)
	OD 5~8.5mm	P-M23R-12P-FF-SL7002-00A(H)	P-M23R-17P-FF-SL7002-00A(H)
	OD 12~14mm	P-M23R-12P-FF-SL7003-00A(H)	P-M23R-17P-FF-SL7003-00A(H)
Pin	24~28AWG	CT-M23R-GF-10-01	CT-M23R-GF-10-01
	18~24AWG	CT-M23R-GF-10-02	CT-M23R-GF-10-02

Component part drawing
